

产品描述

- 该产品为上行 1270/1330nm 波长/工作速率 25G、下行 1330/1270nm 工作速率 25G 的点对点 BOSA 组件发端采用 DFB 激光器，收端采用 PIN-TIA 二极管
- 芯片信息:
- LD: 1270nm/1330nm 25G DFB 5PIN
- PT: 25G PIN-TIA
- 产品结构备注 :LC/PC 插芯套组件,机加工/粉末件结构,接收端粘接结构,带隔离器

产品应用

- 远程通讯
- 点对点通讯

25G LC BIDI BOSA(10km)

产品特点

- 采用激光焊接方案
- 点对点应用
- 高光学隔离
- 工作温度：-40°C~85°C
- 插拔式 SC BOSA

产品标准

- 符合 Telcordia GR - 468 可靠性测试标准
- 符合 RoHS 6 项 标准
- 符合 ROHS(对有害物质的限制)标准
- 符合 GR - 326 连接器合格标准
-

1. Absolute Maximum Ratings

Item	Symbol	Unit	Min	Max	Note
Storage Temperature	TSTG	°C	-40	85	
Operating Temperature (ambient)	TOPR	°C	-40	85	
Lead Soldering Temperature (Max10 sec)	TS	°C	---	260	
Forward Current (LD)	IFLD	mA	---	150	
Reverse Voltage (LD)	VRLD	V	---	2	
Photodiode Forward Current (MPD)	IFD	mA	---	10	
Forward Current (PD)	IFPD	mA	---	10	

2. Transmitter Electro-Optical Characteristics (TC=25°C, CW)

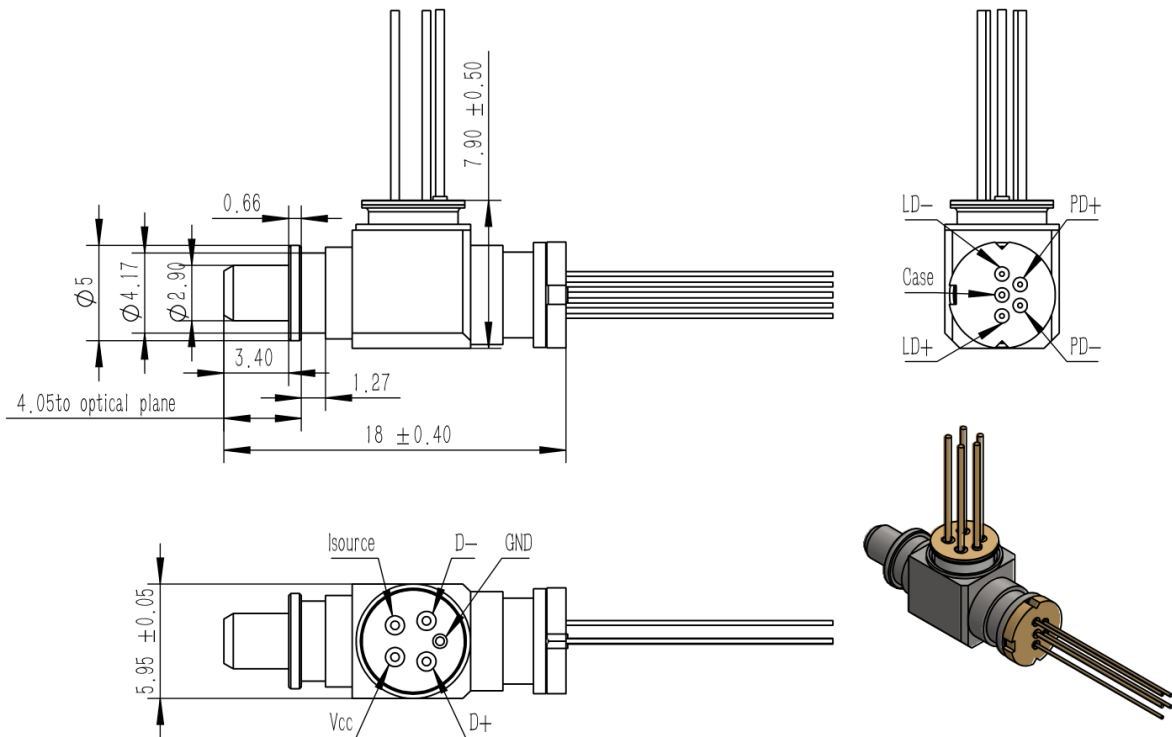
Item	Symbol	Test Condition	Min.	Typ.	Max.	Unit
Threshold Current	ITH	CW,TC=25°C	---	--	15	mA
		CW,TC=-40°C~85°C	---	--	30	
Forward Voltage	VF	PF=PF (Min), TC =25°C	---	---	2	V
Optical Output power @20KM	Pf	CW, @ITH+30mA, 25°C,	-1	---	2	dBm
Center Wavelength	λ_C	T1270/R1310	1260	1270	1280	nm
		T1310/R1270	1300	1310	1320	nm
Monitor Current	I _{mon}	DC, I _{op} =I _{th} +20mA,	100	---	1000	uA
Monitor Dark Current	I _d	V _{rd} =5V	---	---	100	nA
Tracking Error	$\Delta P_f/P_f$	APC, -40°C/+25°C, +25°C/+80°C	-1.5	---	+1.5	dB

3. Receiver Electro-Optical Characteristics (TC=25°C, V_{cc}=3.3V)

Item	Symbol	Test Condition	Min.	Typ.	Max.	Unit
Supply Current	ICC	依据 TO 选型, 范围会不一样	---	---	---	mA
Operation Wavelength	λ	T1270/R1310	1300	1310	1320	nm
		T1330/R1270	1260	1270	1280	nm
Saturation Power	PSAT	25Gbps, PRBS=2 ³¹ -1, ER ≥ 4dB, BER ≤ 10 ⁻¹² , CW	3	---	---	dBm
Sensitivity @ 155.52M	Sen	25Gbps, PRBS=2 ³¹ -1, ER ≥	---	---	-11.5	dBm

		4dB, BER ≤ 10 ⁻¹² , CW				
Optical Return Loss	ORL	λ=1270/1330nm	--	---	-20	dB
Optical Crosstalk	XTALK	1270nm/1310nm 1310nm/1270nm		---	-40	dB

4. Dimension Outline



注：单位，mm，未注公差±0.05mm。